

The Safebox SL24/SA-IEC is designed as a robust and long-term Class II distribution unit. It offers individual isolation of the supply in and out, as well as 3 functional outputs.

The fuse-disconnectors used throughout the Safebox SL24/SA-IEC accept 10 x 38 fuses. They are designed for connecting and disconnecting circuits under load, providing protection against short circuits and overloads.

Fitted with an industry standard ESP device to protect all supplied equipment up to a 25kVA surge.

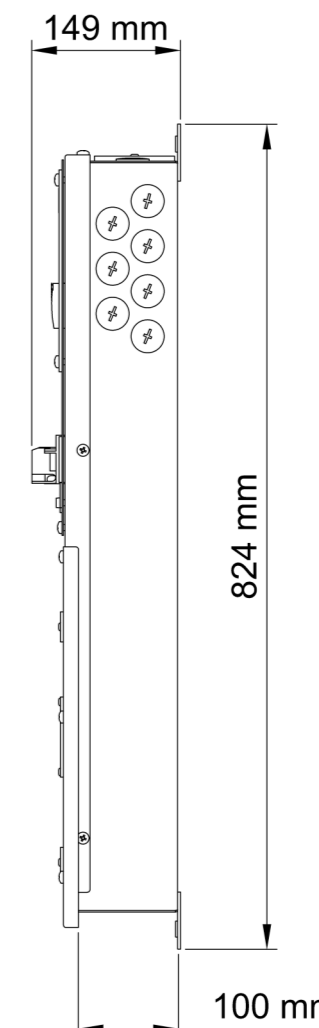
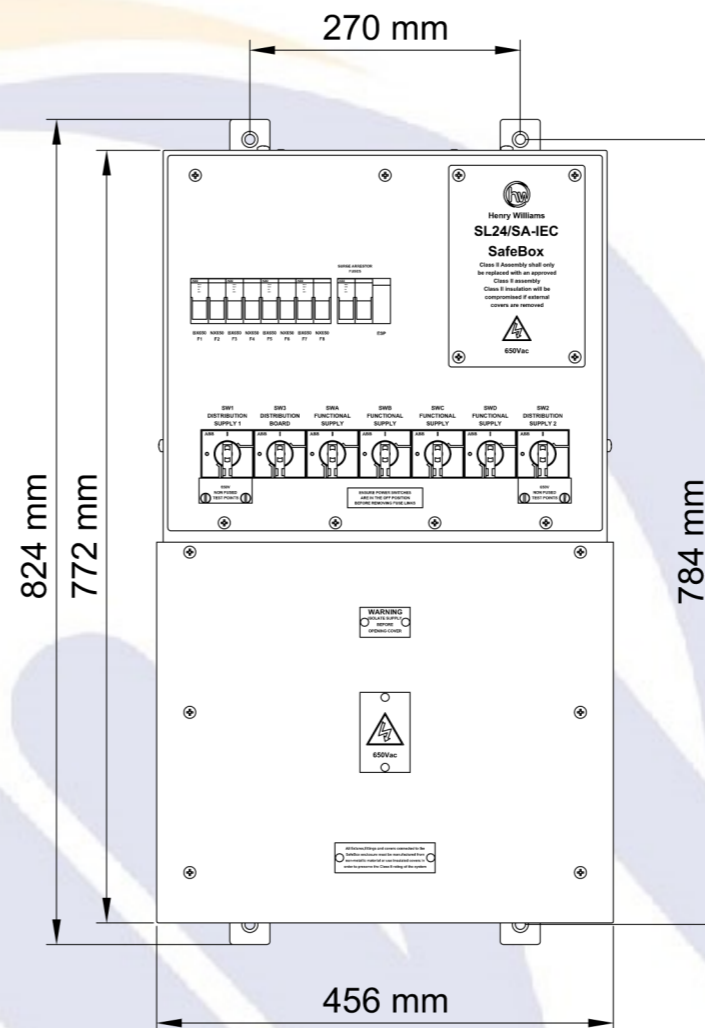
Product features:

- Class II Distribution Unit (690V rated).
- Isolators for Power IN and OUT, an isolator for all functional supplies, along with 4 individual isolators for each output.
- IEC 60269 Fuse Carriers (10 x 38mm).
- Terminals to accommodate 2 or 4-core (Cu) or (Al) Feeder Cables 6 to 120mm².
- Designed for a Single or Dual End Feeder Circuit (FSP01/02).
- Removable gland plates allow for ease of installation.
- Gland plate to terminal distance: 280mm
- 25mm output glanding holes to accommodate standard Class II conduit fittings for output wiring.



Main Terminal Arrangement

Distribution Switches	Functional Switches	Fuses	ESP
3	4	6 + 2 ESP	✓



Extras & Spares

Option	Description
Gland plate hole cut to size	To allow ease of installation, we offer a service to pre-drill the gland plate to your required size .
Replacement Gland Plate	To allow for reuse and re-termination, a replacement gland plate can be ordered. This can be pre-drilled to your required size.
Rails and Bracketry	Henry Williams also manufacture all standard BRS-SM 440 rails and bracketry to mount Safeboxes. For more information, please visit our website or contact us.



Contact us

