

The Safebox 105-IEC is designed as a robust and long-term Class II distribution unit. It offers individual isolation of the supply in and out, as well as 5 functional outputs.

Feed-through terminals allow the 105/SA-IEC to be connected via Class II conduit to other SafeBoxes to allow for more functional outputs.

Each door to the terminal chambers are locked with a industry standard triangle utility key, allowing for easy access to those who require it. Each Safebox 105-IEC is supplied with a key.

The terminal chambers are both protected by an insulated door, as well as a acrylic cover allowing connections to be inspected with a reduced risk to the operator.

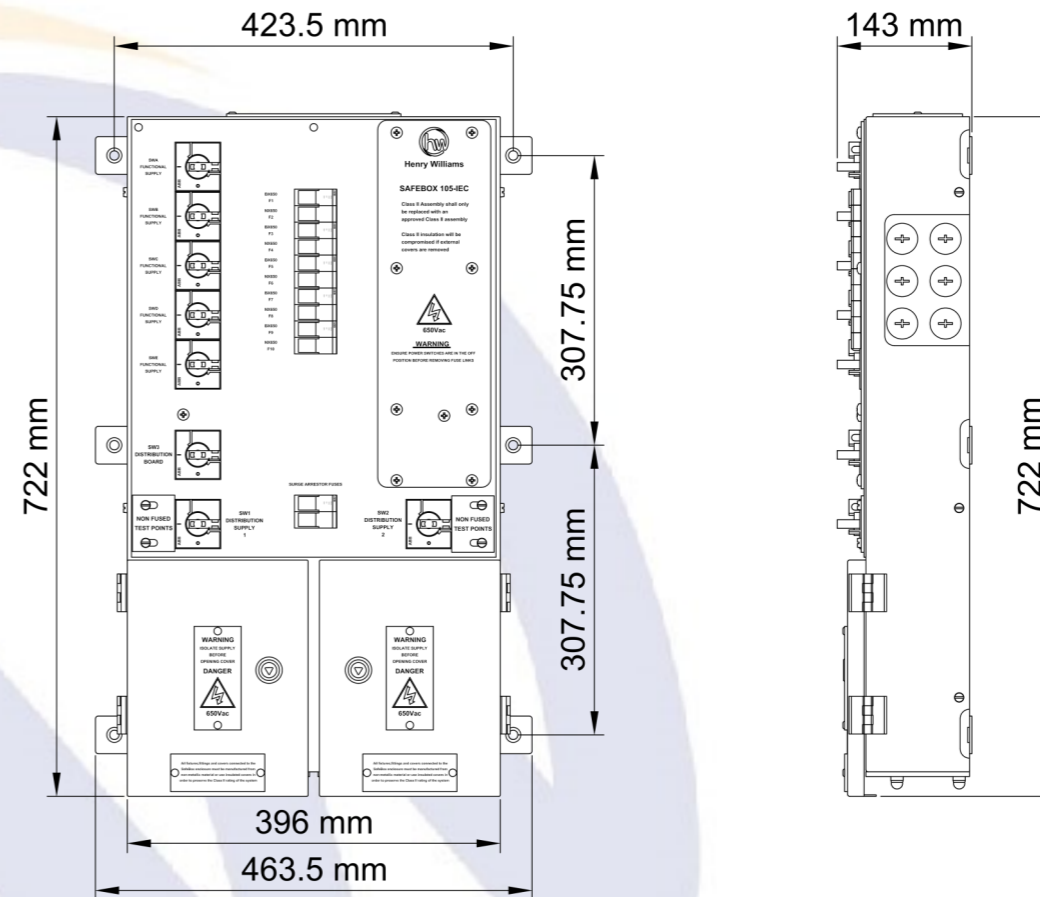
The fuse-disconnectors used throughout the Safebox 105-IEC accept 10 x 38 fuses. They are designed for connecting and disconnecting circuits under load, providing protection against short circuits and overloads.

Product features:

- Class II Distribution Unit (690V rated).
- Isolators for Power IN and OUT, an isolator for all output switches along with 5 individual isolators for each output.
- 10 x 38 Fuse Carriers.
- Terminals to accommodate (Cu) or (Al) Feeder Cables 6 to 120mm².
- Designed for a Ring Circuit (FSP01/02).
- Removable gland plates allow for ease of installation.
- Gland plate to terminal distance: 150mm (+100mm with Extension Kit).
- 25mm output glanding holes to accommodate standard Class II conduit fittings for output wiring.



Main Terminal Arrangement



Extras & Spares

Option	Description
Gland plate hole cut to size	To allow ease of installation, we offer a service to pre-drill the gland plate to your required size .
Location Case Mounting Kit	A mounting kit fixes to the feet of the Safebox with standard M8 fixings, and increases the distance of the mounting holes centers to 460mm to allow for installation directly onto the uprights of a small apparatus case.
Extension Kit	An extension kit can be used to add an additional 100mm to the distance from the gland plate to the terminals. Two replacement doors are also supplied to ensure the termination chamber is still enclosed and protected.
Replacement Gland Plate	To allow for reuse and re-termination, a replacement gland plate can be ordered. This can be pre-drilled to your required size.
Replacement Door Key	Henry Williams are able to supply additional keys if required.
Rails and Bracketry	Henry Williams also manufacture all standard BRS-SM 440 rails and bracketry to mount Safeboxes. For more information, please visit our website or contact us.

Distribution Switches	Functional Switches	Fuses
3	5	10



Contact us

