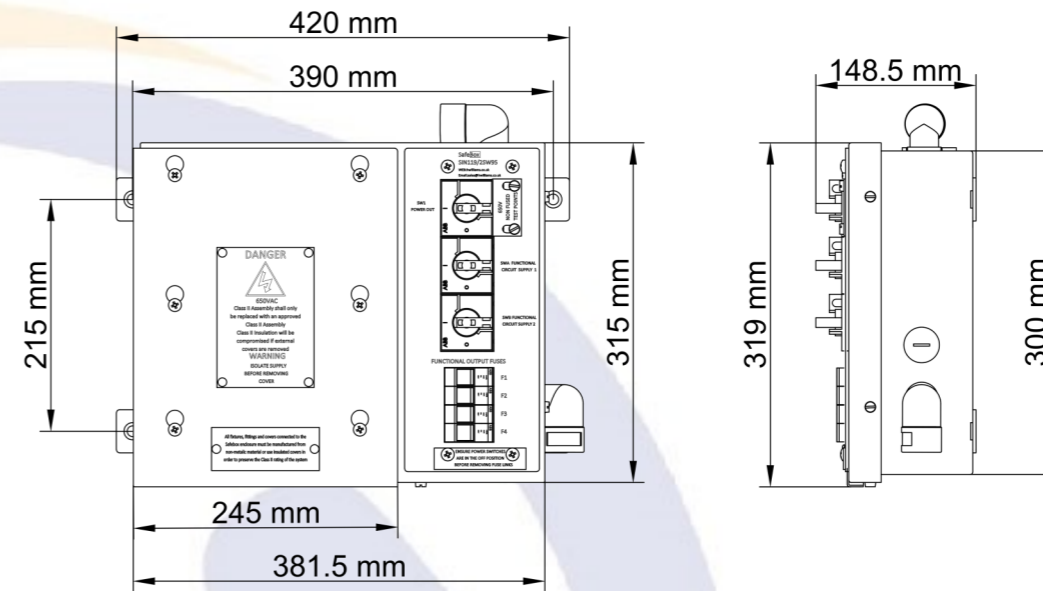


The 2SW95 is designed as a robust and long-term unit to suit a legacy circuit.

The 2SW95 provides 2 functional outputs, and isolation of the power out.

This unit is designed to receive cables from 16mm² (Cu or Al) up to 95mm².



Product features:

- Class II Distribution Unit (690V rated).
- Isolators for Power OUT along and 2 functional outputs.
- IEC 60269 Fuse Carriers (10 x 38mm).
- Terminals to accommodate Feeder Cables 16mm² (Cu or Al) up to 95mm².
- Designed for a Legacy Circuit (FSP04).
- Removable gland plates allowing for ease of installation.
- Gland plate to terminal distance: 126mm
- 25mm 90 degree conduit fitting fitted as standard.
- Each unit is supplied with approximately 2m's of BS6231 Tri-rated cable.



Main Terminal Arrangement



Extras & Spares

Option	Description
Gland plate hole cut to size	To allow ease of installation, we offer a service to pre-drill the gland plate to your required size .
Replacement Gland Plate	To allow for reuse and re-termination, a replacement gland plate can be ordered. This can be pre-drilled to your required size.
Rails and Bracketry	Henry Williams also manufacture all standard BRS-SM 440 rails and bracketry to mount Safeboxes. For more information, please visit our website or contact us.



