



Designed to meet the latest Network Rail specification of equipment enclosure, Henry Williams' new location case is manufactured to provide a robust and secure cabinet.

Our design allows for a range of internal racking configurations, this case can support standard BRS-SM 440 rails, as well as 19" racking.

The large case can house either:

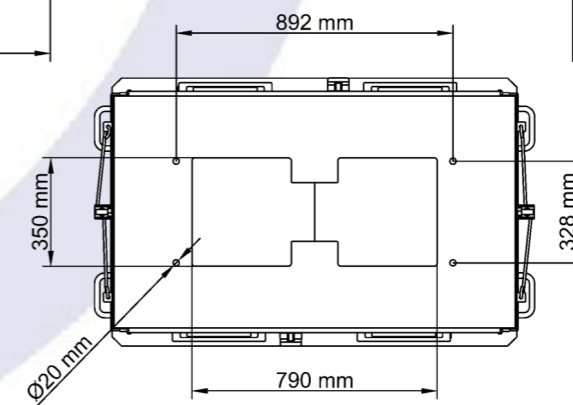
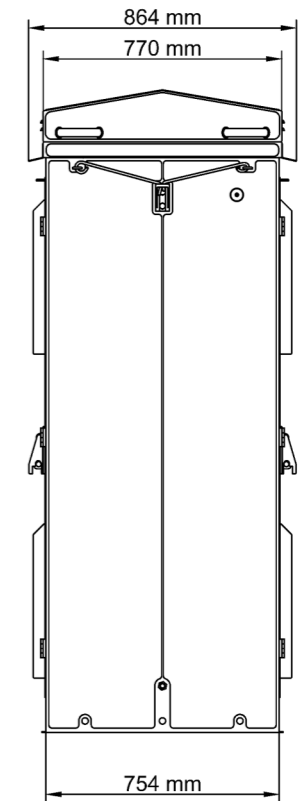
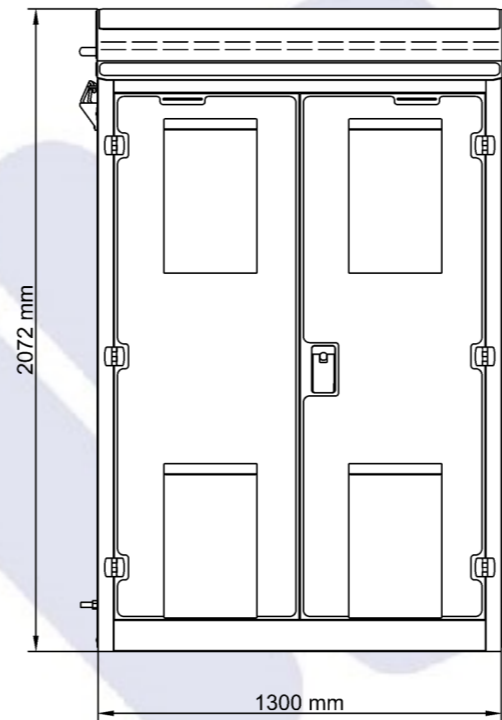
- A single large standard set of BRS-SM 440 rails & bracketry
- Two bays of 19" racking.
- Two small sets of BRS-SM 440 rails.
- A small set of BRS-SM 440 rails and one bay of 19" racking.



Material	Internal Configuration			
	Full Width BRS SM440	2 Bays of Half Width BRS SM440	1 Bay of 19 Inch Rack and 1 Bay of Half Width BRS SM440	2 Bays of 19 Inch Racks
3mm Zinc Plated CR4 Mild Steel Coated in Wet Paint System	0086/036809	0086/036813	0086/036816	0086/036819
2mm 304 Stainless Steel Bare Finish	0086/036810	0086/036814	0086/036817	0086/036820
2mm 316 Stainless Steel Bare Finish	0086/036811	0086/036815	0086/036818	0086/036821

Product features:

- A new interchangeable internal structure allows for both BRS-SM 440 rails and bracketry, 19" racking, or both. Each 19" bay comes with 38U and 600mm of depth.
- Incorporates LEMUR-AG15 solar mitigation with additional passive air flow cooling, providing maintenance free temperature modulation.
- Our location case exceeds the required level of heat dissipation detailed in BS EN 60068-2-5:2018. The case is capable of dissipating 500w of internal losses, while maintaining an internal ambient temperature of 47.1°C, with the external ambient temperature of 40.0°C.
- The cubicle is tested to LPS 1175 classification SR2 and capable of being secured with a padlock, providing protection against unwanted entry into the cubicle.
- The cubicle provides ingress protection of IP54.
- Designed to be mount onto standard Network Rail precast concrete bases.
- Where applicable, coated in wet paint system, allowing for repair and touch-up work to be carried out trackside.
- Inbuilt laptop tray as standard providing a small work surface for line-side workers.



Contact us

Email: sales@hwilliams.co.uk

Web: www.hwilliams.co.uk

Tel: +44 (0) 1325 462722