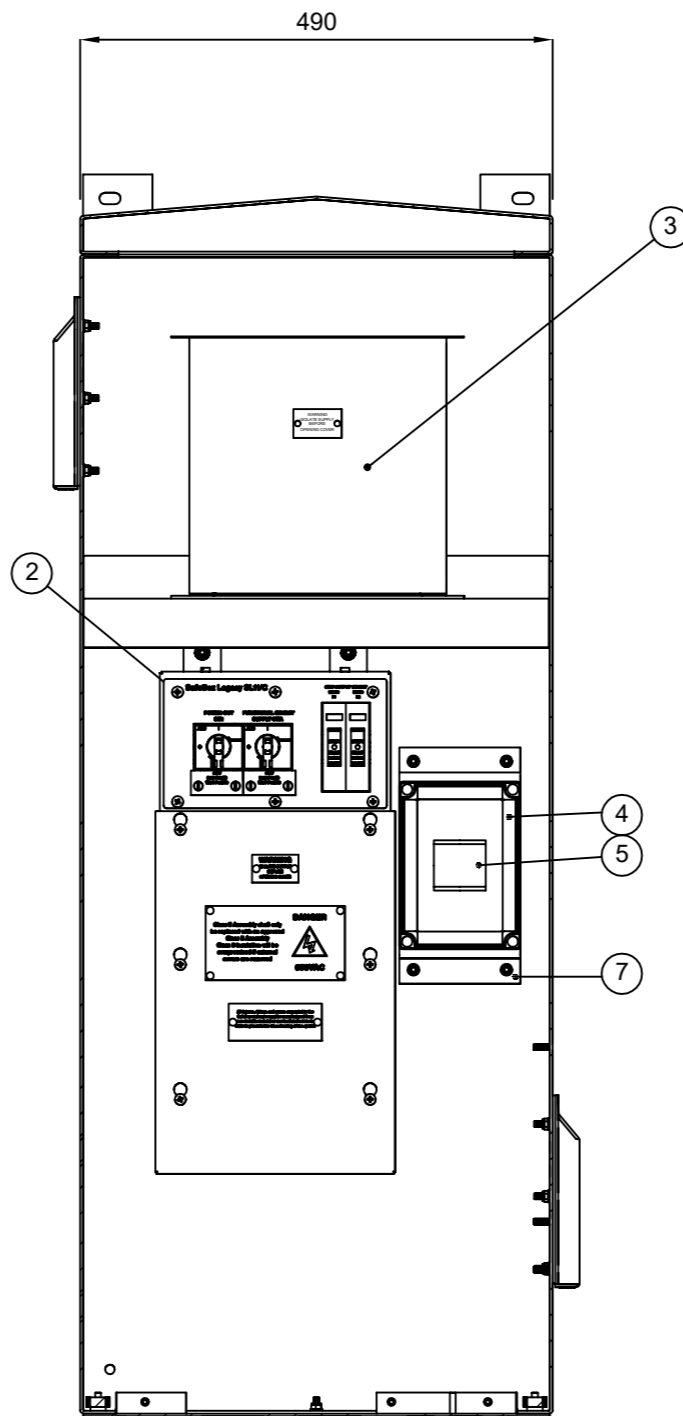
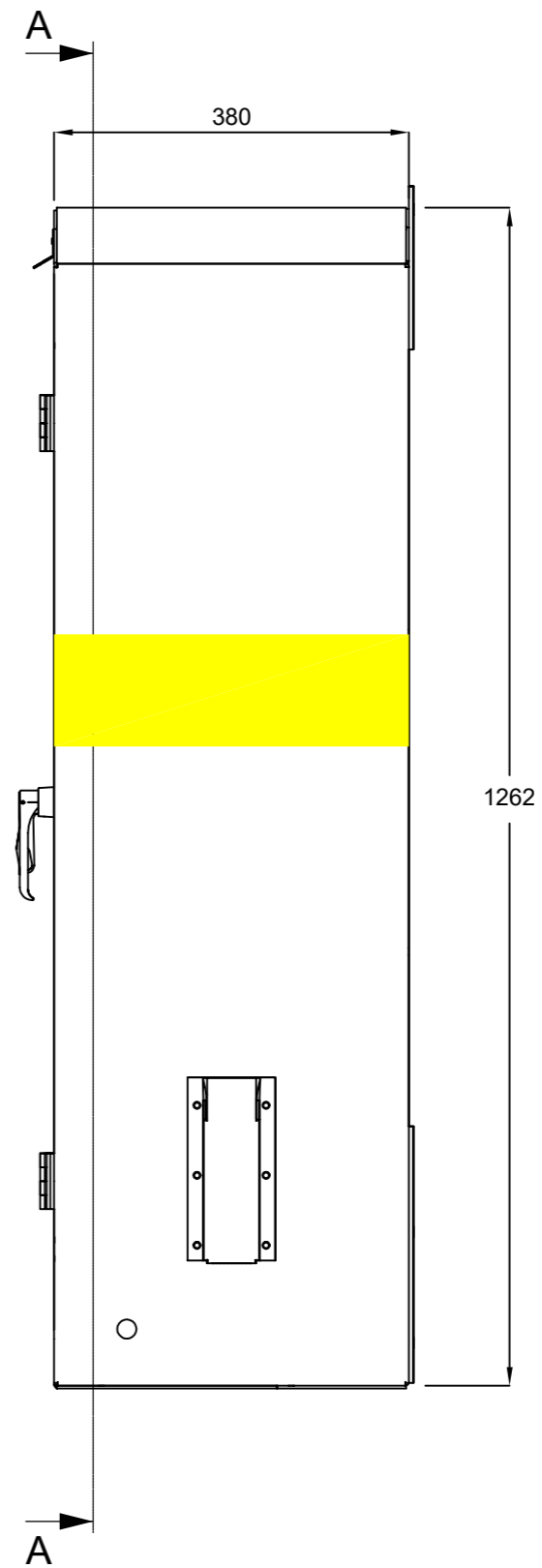


(FRONT)



SECTION A-A



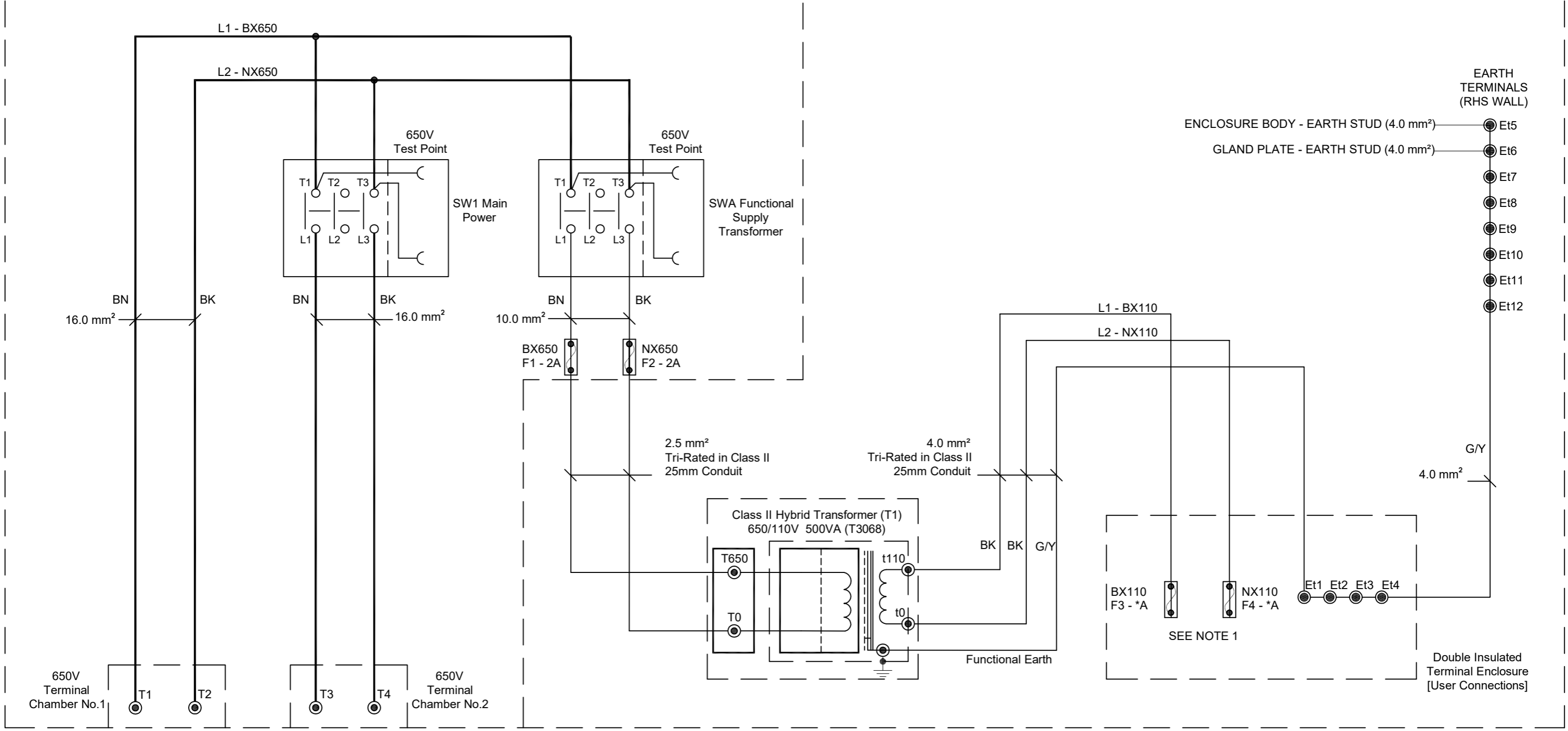
ITEM NO.	DESCRIPTION	PART No.	QTY.
1	POWER ANNEXE	2017.047-A1-000	1
2	SAFEBOX SL11/C	2017.033-A1-001	1
3	650/110VAC TX 500VA	ATL - T3068	1
4	TERMINAL ENCLSOURE	Fibox - 6016916	1
5	E 92/32 Fuse Switch Disconnecter 2P	ABB - 2CSM200883R1801	1
6	Yellow Banding	Graficast Yellow Matt - MSC920	2m
7	Mounting Plate	2017.032-C2-001	1

E Stephenson 24.10.2023

ISSUE A
First Issue

	Henry Williams Ltd - Electrical Projects		DARLINGTON ENGLAND
	PRODUCED <i>E. Stephenson</i>	SafeBox Legacy Connect Safebox SL11/C + 650/110VAC 500VA TX (LCS0.51) Wiring Schematic	DWG. No 2017.046-A1-000 -M001
CHECKED <i>Stephenson</i>	The copyright and all other rights related to this drawing or document remains at all times with Messrs. Henry Williams Ltd. Without their written authorisation it must neither be copied or reproduced nor be communicated or rendered acceptable or profitable in any form to any third parties.		
			ISSUE A

SafeBox Legacy (Model SL11/C)



NOTE 1
 * = SYSTEM DESIGN TO DETERMINE FUSE RATINGS

E Stephenson 24.10.2023

ISSUE A
 First Issue

 Henry Williams Ltd - Electrical Projects		DARLINGTON ENGLAND
PRODUCED <i>E. Stephenson</i>	SafeBox Legacy Connect Safebox SL11/C + 650/110VAC 500VA TX (LCS0.51) Wiring Schematic	DWG. No
CHECKED <i>Stephenson</i>		2017.046-A1-000 -E001
The copyright and all other rights related to this drawing or document remains at all times with Messrs. Henry Williams Ltd. Without their written authorisation it must neither be copied or reproduced nor be communicated or rendered acceptable or profitable in any form to any third parties.		ISSUE A