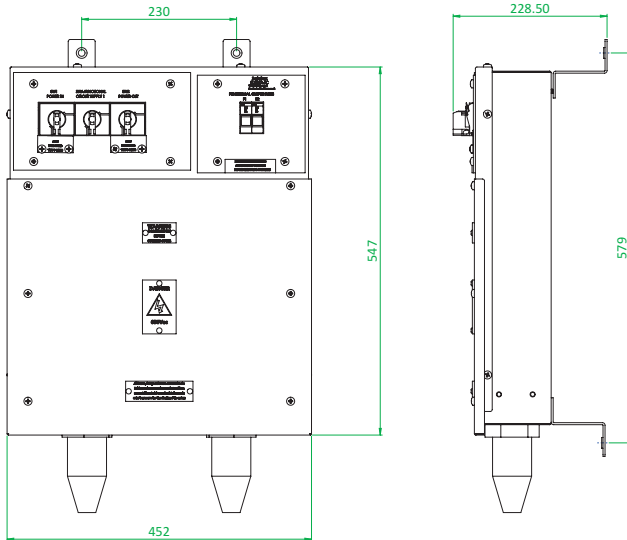


# SafeBox Legacy Connect SL22/A4C

PADS Ref: PA05/06505

- 2 or 4-core IN & OUT Power Cables
- Class II Distribution Unit (690V rated).
- Designed to fit inside the Legacy Connect Annexe
- 1 functional output supply to TX.
- Fuse carriers: IEC 60269 (10 x 38mm).
- (Cu) or (Al) Feeder Cables 6 to 120mm<sup>2</sup>.
- Ring Circuit Configuration (FSP02).
- Sliding gland plates.
- Gland plate to terminal distance: 280mm



Main Terminal Arrangement