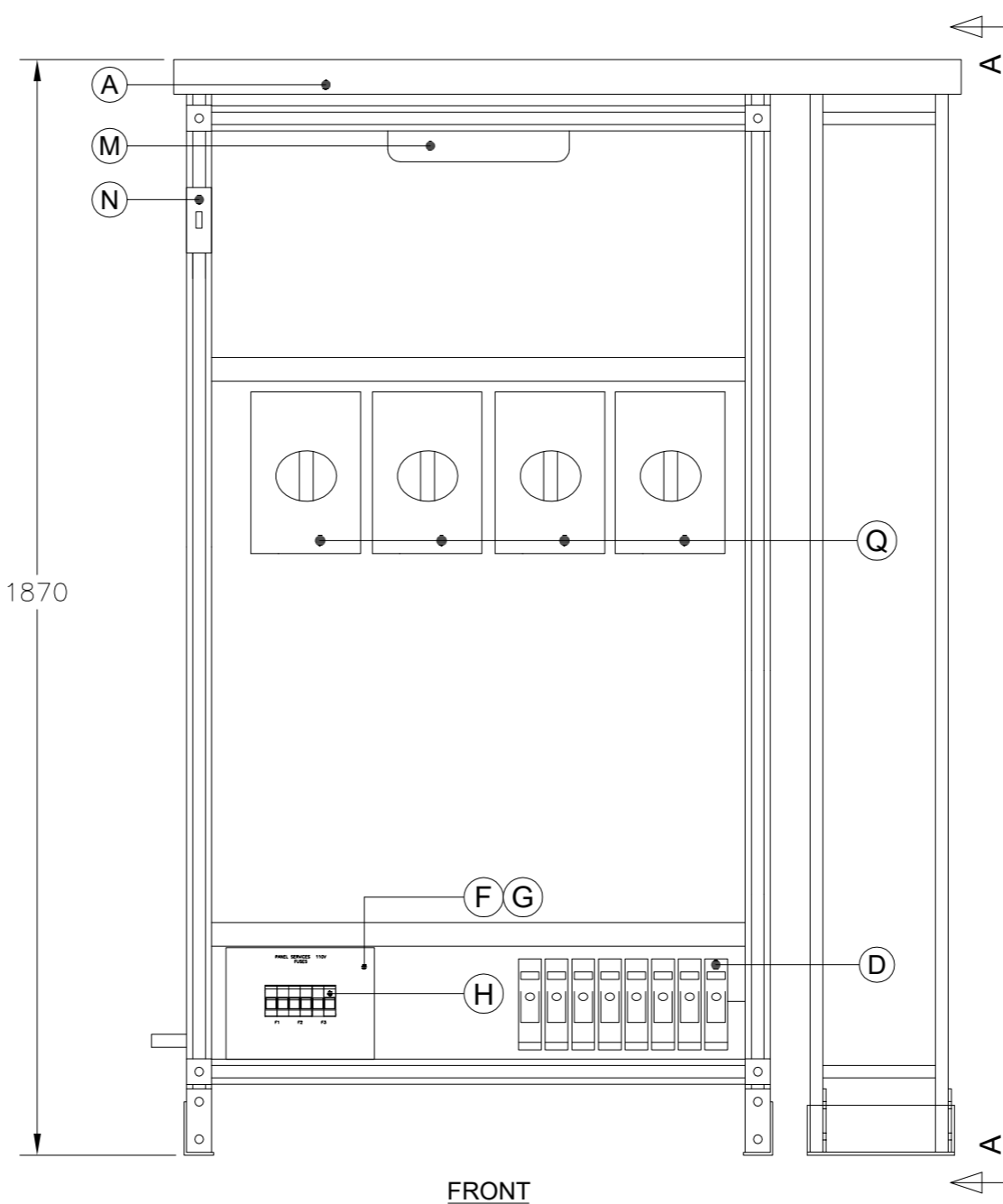
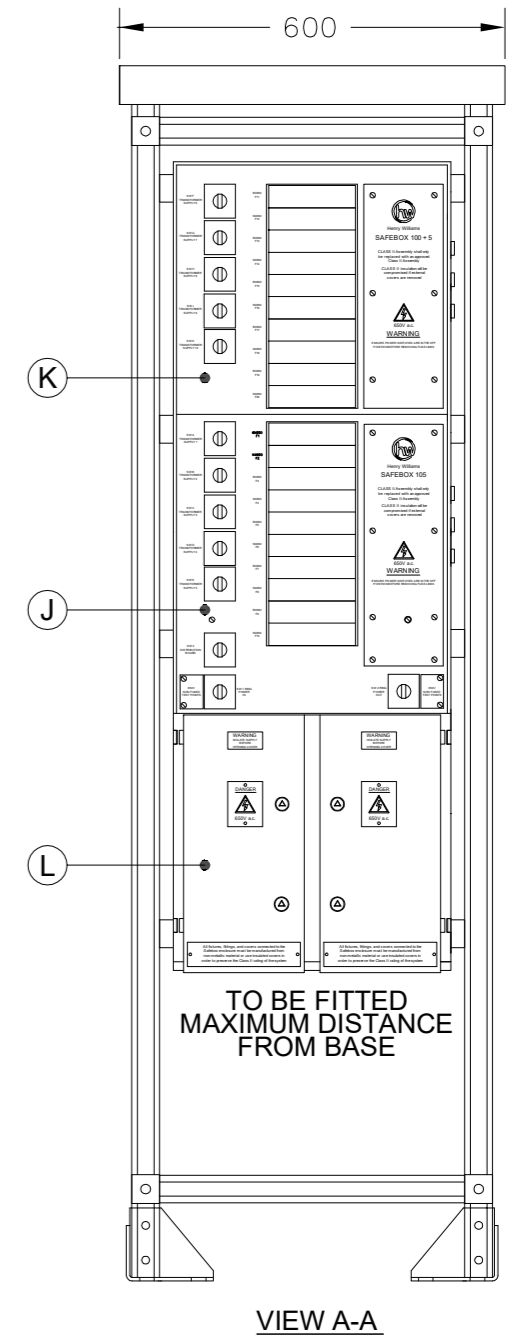


REAR



FRONT



VIEW A-A

ITEM	DESCRIPTION	MANUFACTURER	PART No.	QTY	ITEM	DESCRIPTION	MANUFACTURER	PART No.	QTY	ITEM	DESCRIPTION	MANUFACTURER	PART No.	QTY
A	LOC PLUS CASE - MILD STEEL	HENRY WILLIAMS	2013.020-A1-000	1	J	CLASS 2 POWERBOX	HENRY WILLIAMS	SAFEBOX 105	1	S	TRANSFORMER (650/110VAC 100VA)	ATL	T3045	1
B	EARTH BLOCK 12 WAY	FURSE	LK243-12	1	K	CLASS 2 POWERBOX	HENRY WILLIAMS	SAFEBOX 100+5	1	T	TRANSFORMER (650/110VAC 5000VA)	ATL	T2969	2
C	NOT USED				L	CABLE EXTENSION KIT	HENRY WILLIAMS	2013.043-A1-000	1	U	TRANSFORMER (650/110VAC 3000VA)	ATL	T2968	2
D	FUSE CARRIER	CAMASTER	CM63F	8	M	LIGHT	KNIGHTSBRIDGE	AMLEDW	1	V				
E	NOT USED			3	N	LIGHT SWITCH	CRABTREE	4177 & 4005	1					
F	MODULAR ENCLOSURE	MCG	92.08	1	P	HEATER c/w THERMOSTAT	STEGO	06001.0-00	1					
G	TERMINAL BAR SUPPORT	MCG	1006.08	1	Q	63A ISOLATOR (AC)	SCHNEIDER	VBF4GE	4					
H	FUSE HOLDER 1P+N	ABB	2CSM200893R1801	3	R	NOT USED								

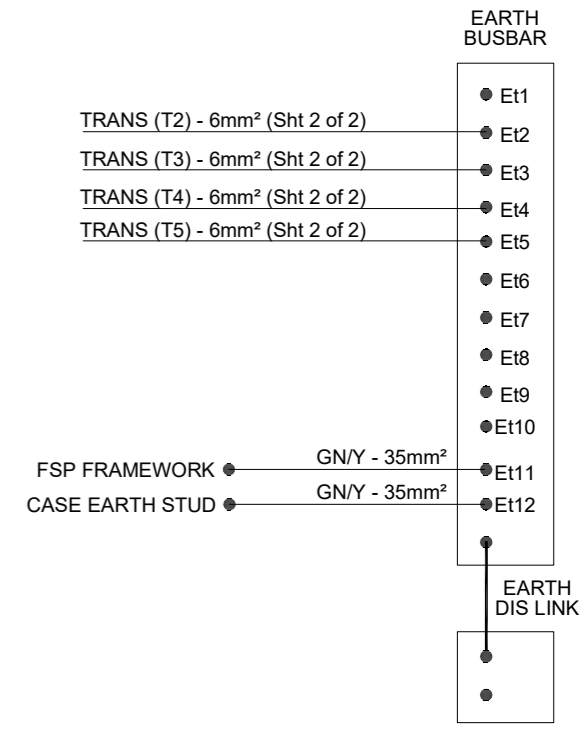
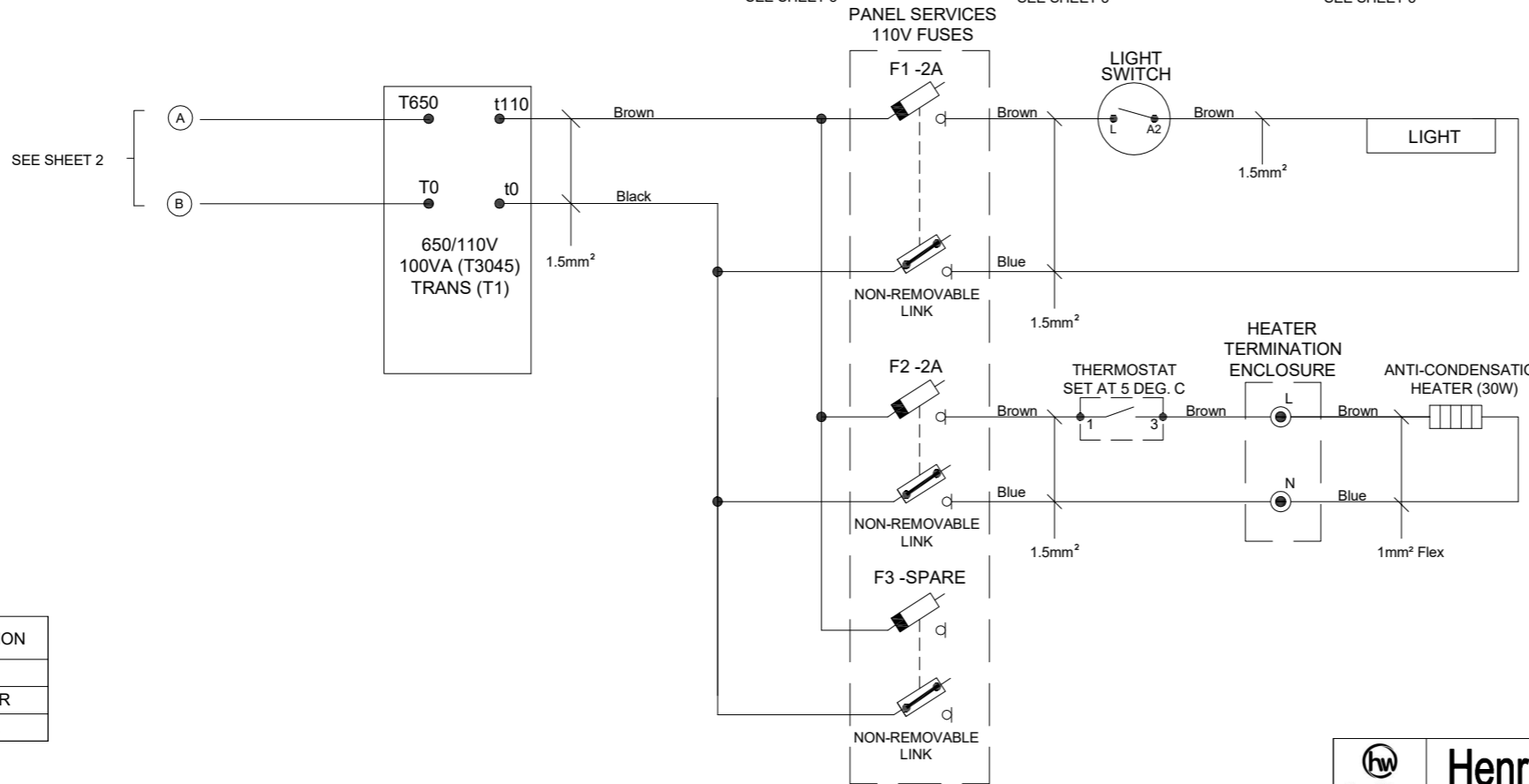
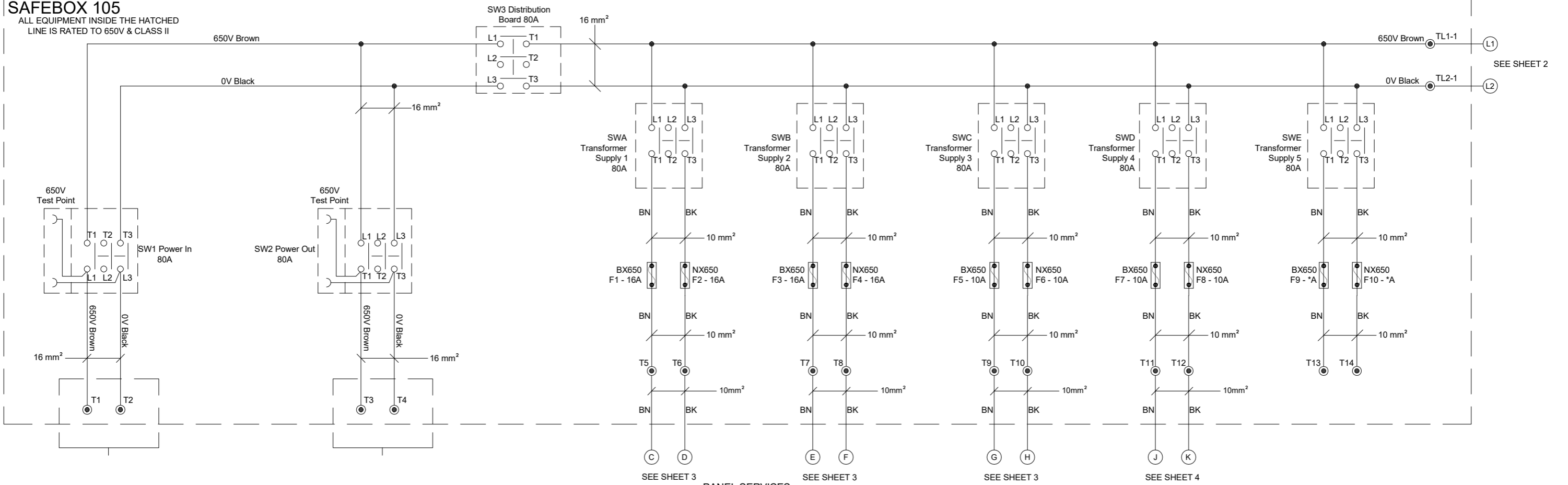
NOTES:  
 1. A YELLOW BAND IS REQUIRED TO BE FITTED AROUND THE FSP LOCATION CASE  
 2. THE FSP LOCATION CASE I.D. IS TO BE FITTED TO EACH SIDE OF THE CASE

	<b>Henry Williams Ltd - Electrical Projects</b>		DARLINGTON ENGLAND
	PRODUCED	Typical Drawings - <b>FSP01-02 Loc + Power</b> (Safebox 105 + 100+5)	
CHECKED	DWG. No <b>M001</b>		ISSUE
<small>The copyright and all other rights related to this drawing or document remains at all times with Messrs. Henry Williams Ltd. Without their written authorisation it must neither be copied or reproduced nor be communicated or rendered acceptable or profitable in any form to any third parties.</small>			

INFORMATION ONLY

# SAFEBOX 105

ALL EQUIPMENT INSIDE THE HATCHED LINE IS RATED TO 650V & CLASS II

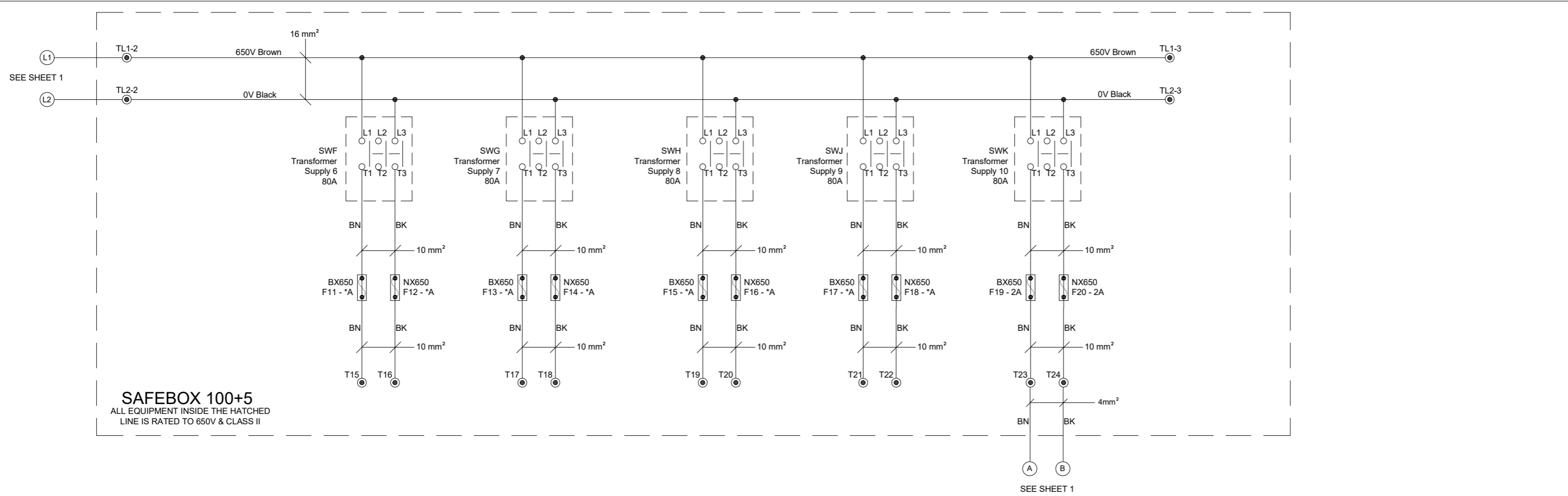


BX110(INT) FUSE	RATING	FUNCTION
F1	2A	LIGHT
F2	2A	HEATER
F3	-	SPARE

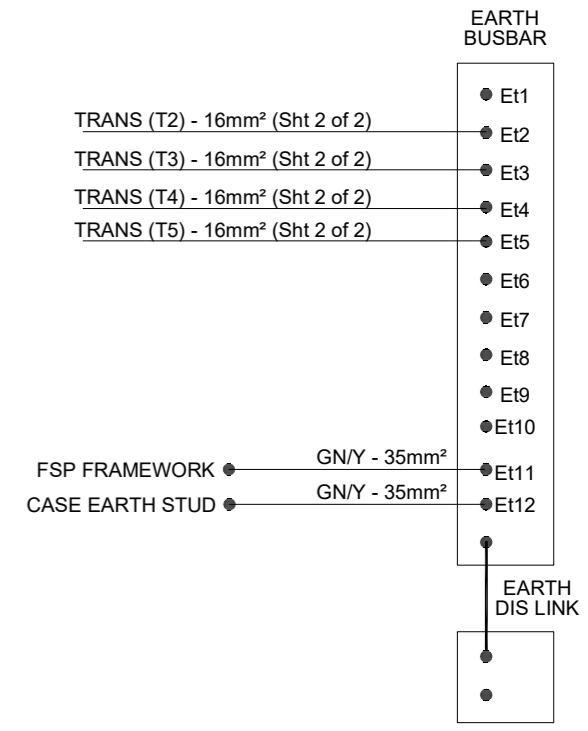
LOC CASE DOORS EQUIPOTENTIALLY BONDED 35mm<sup>2</sup> BRAID

	<h2>Henry Williams Ltd - Electrical Projects</h2>		DARLINGTON ENGLAND
	PRODUCED	<h3>Typical Drawings - FSP01-02 Loc + Power (Safebox 105 + 100+5)</h3>	
CHECKED	The copyright and all other rights related to this drawing or document remains at all times with Messrs. Henry Williams Ltd. Without their written authorisation it must neither be copied or reproduced nor be communicated or rendered acceptable or profitable in any form to any third parties.		

INFORMATION ONLY

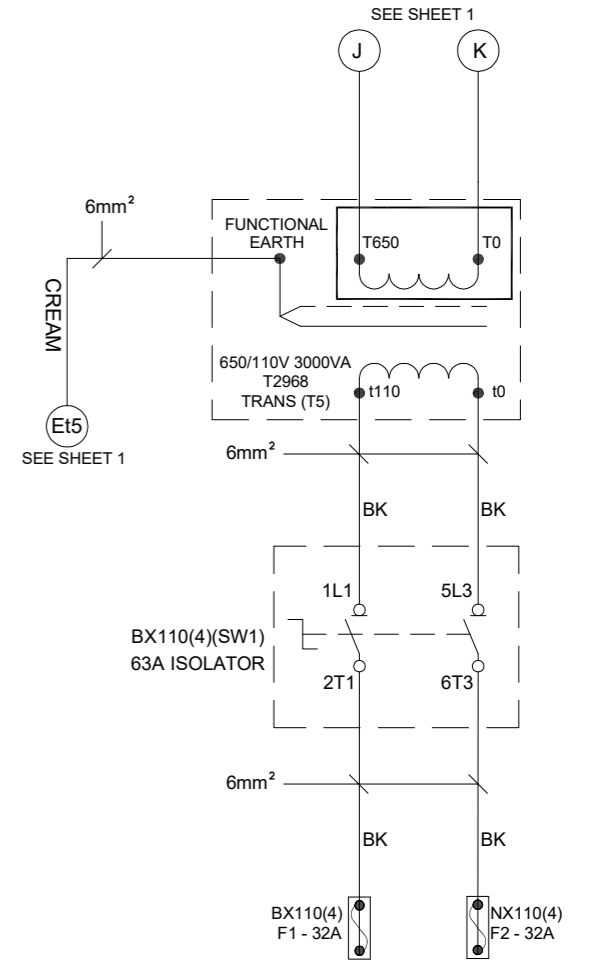
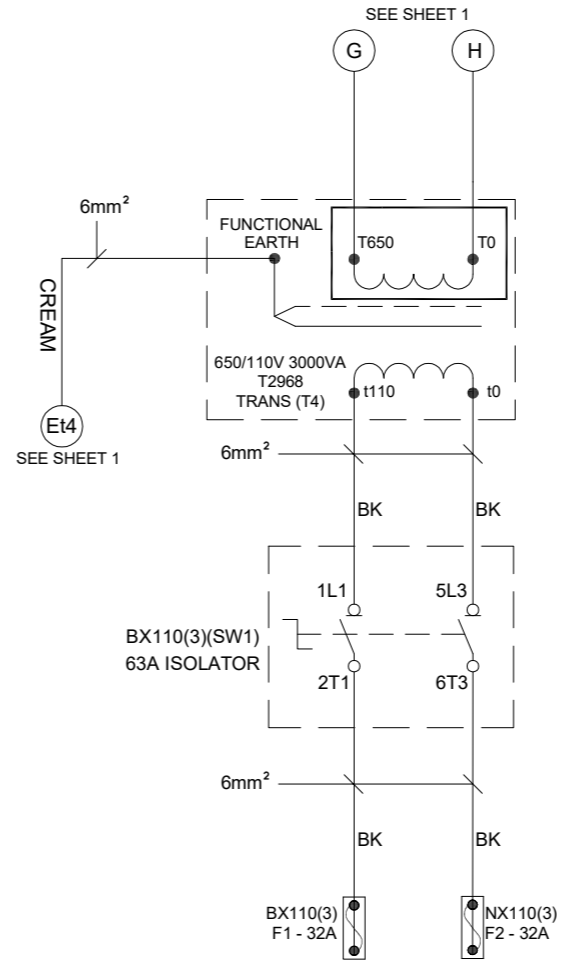
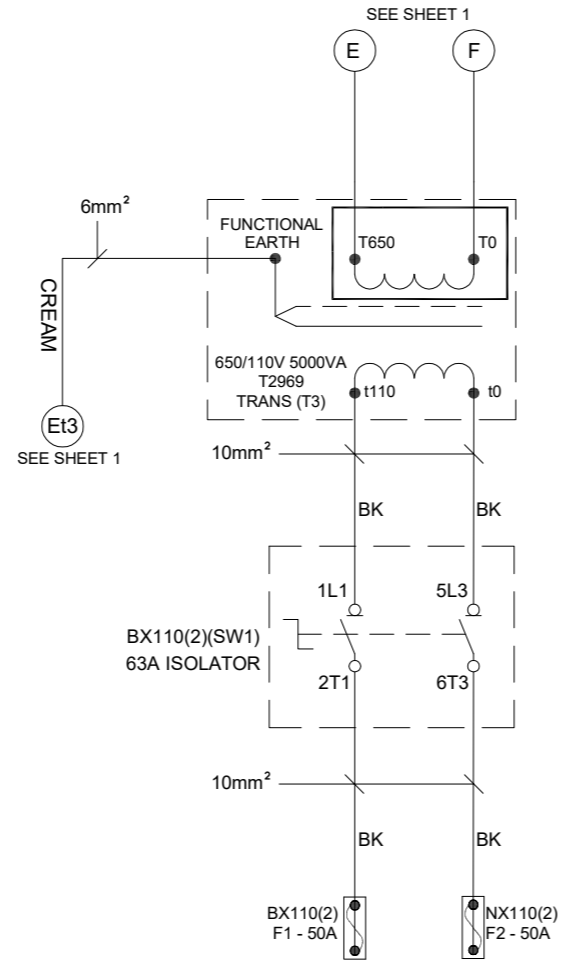
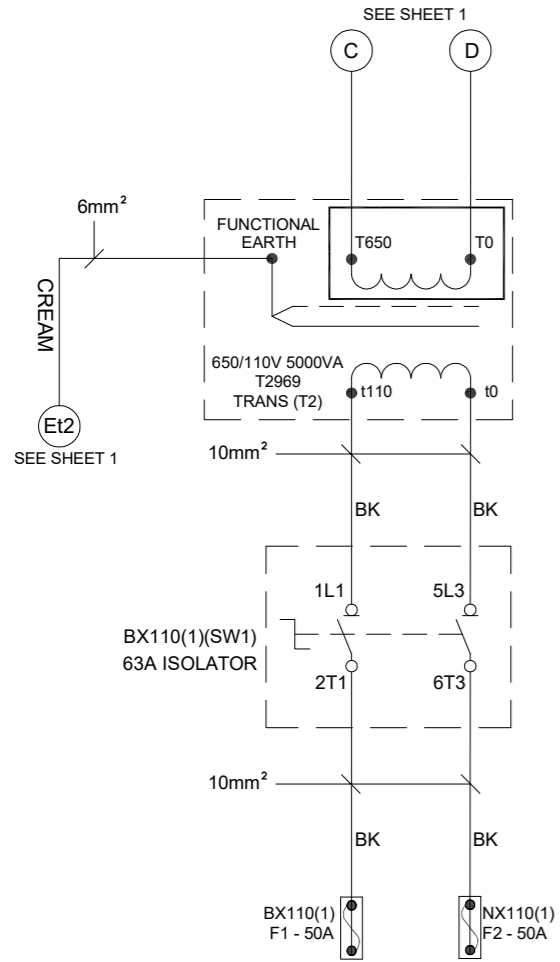


**SAFEBOX 100+5**  
 ALL EQUIPMENT INSIDE THE HATCHED  
 LINE IS RATED TO 650V & CLASS II




**INFORMATION ONLY**

 <small>Henry Williams</small>	<h2 style="margin: 0;">Henry Williams Ltd - Electrical Projects</h2>	DARLINGTON ENGLAND
PRODUCED  CHECKED	<h3 style="margin: 0;">Typical Drawings -          FSP01-02 Loc + Power          (Safebox 105 + 100+5)</h3>	DWG. No  <b style="font-size: 1.2em;">E002</b>
The copyright and all other rights related to this drawing or document remains at all times with Messrs. Henry Williams Ltd. Without their written authorisation it must neither be copied or reproduced nor be communicated or rendered acceptable or profitable in any form to any third parties.		ISSUE



INFORMATION ONLY

 Henry Williams	Henry Williams Ltd - Electrical Projects	DARLINGTON ENGLAND
PRODUCED	Typical Drawings - FSP01-02 Loc + Power (Safebox 105 + 100+5)	DWG. No
CHECKED		E003
<small>The copyright and all other rights related to this drawing or document remains at all times with Messrs. Henry Williams Ltd. Without their written authorisation it must neither be copied or reproduced nor be communicated or rendered acceptable or profitable in any form to any third parties.</small>		ISSUE