

ITEM	DESCRIPTION	MANUFACTURER	PART No.	QUANTITY
A	A1 MILD STEEL LOCATION CASE	HENRY WILLIAMS	2011.075-A1-000	1
B	EARTH BLOCK 12 WAY + DIS LINK	FURSE	LK243-12	1
C	NOT USED			
D	FUSE CARRIER	CAMASTER	CM63F	6
E	NOT USED			
F	MODULAR ENCLOSURE	MCG	92.08	1
G	TERMINAL BAR SUPPORT	MCG	1006.08	1
H	FUSE HOLDER 1P+N	ABB	2CSM200893R1801	3
J	CLASS II SAFEBOX SL22-4AC	HENRY WILLIAMS	2017.061-A1-001	1
K	TRANSFORMER (650/110VAC 100VA)	ATL	T3045	1
L	TRANSFORMER (650/110VAC 2000VA)	ATL	T2925	1
M	TRANSFORMER RECTIFIER (650/110VDC 10A)	FT TRANSFORMERS	50491	2
N	CLASS II SAFEBOX 100+5	HENRY WILLIAMS	HWE-SAFEBOX-100+5	1
P	LIGHT	KNIGHTSBRIDGE	AMLEDW	1
Q	LIGHT SWITCH	CRABTREE	4177 & 4005	1
R	THERMOSTAT	GREENBROOK	TH90T-C	1
S	TERMINAL ENCLOSURE	WISKA	COMBI 308/5 BK	1
T	HEATER (30W)	PHANNENBURG	PRH030M	1

NOTES:

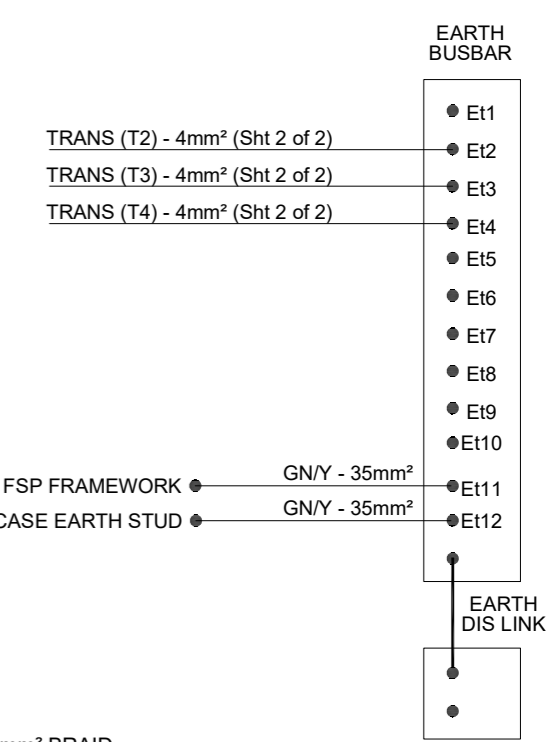
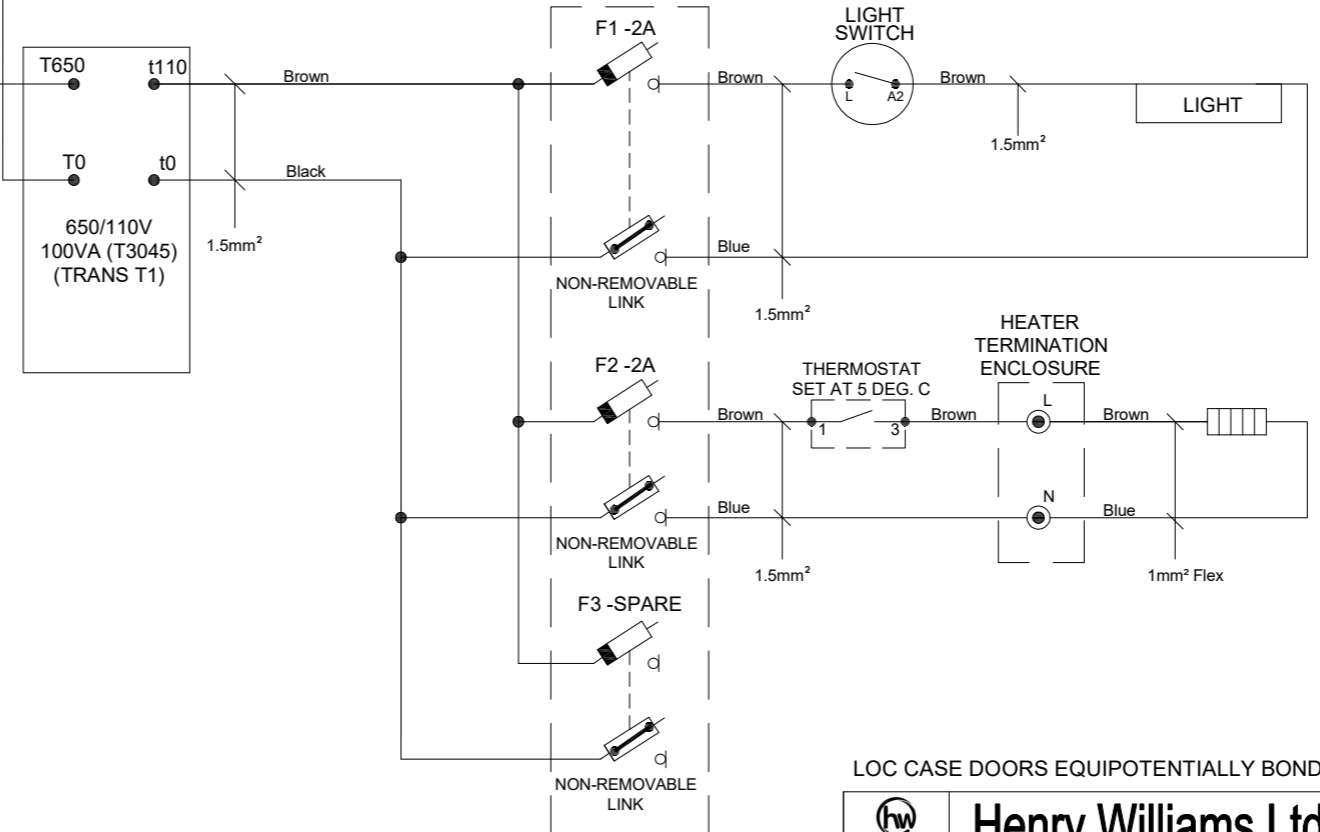
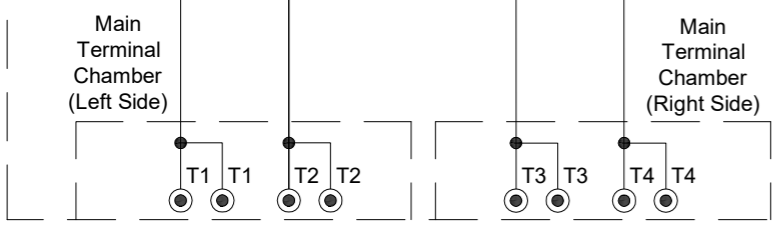
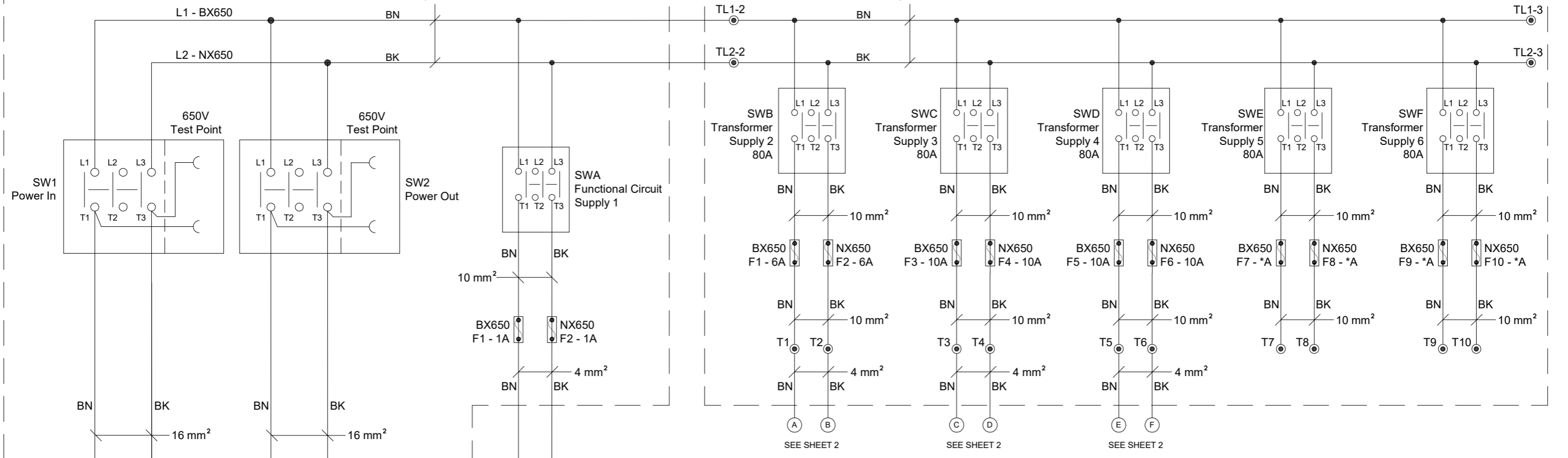
1. A YELLOW BAND IS REQUIRED TO BE FITTED AROUND THE FSP LOCATION CASE
2. THE FSP LOCATION CASE I.D. IS TO BE FITTED TO EACH SIDE OF THE CASE

	Henry Williams Ltd - Electrical Projects		DARLINGTON ENGLAND
	PRODUCED	Typical Drawings - FSP01-02 A Case (Safebox SL22A4C + 100+5)	
CHECKED	The copyright and all other rights related to this drawing or document remains at all times with Messrs. Henry Williams Ltd. Without their written authorisation it must neither be copied or reproduced nor be communicated or rendered acceptable or profitable in any form to any third parties.		

INFORMATION ONLY

SafeBox SL22/A4C

Safebox 100+5

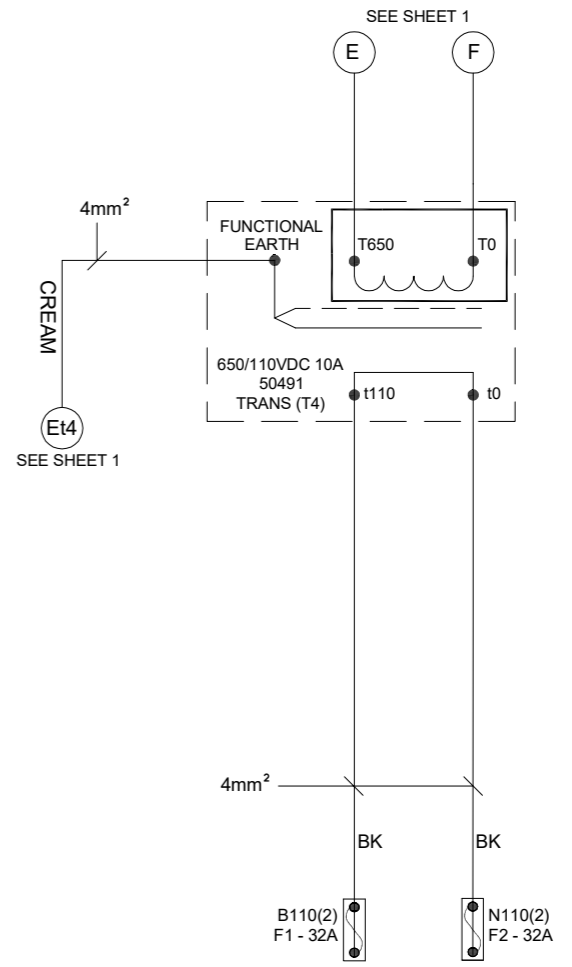
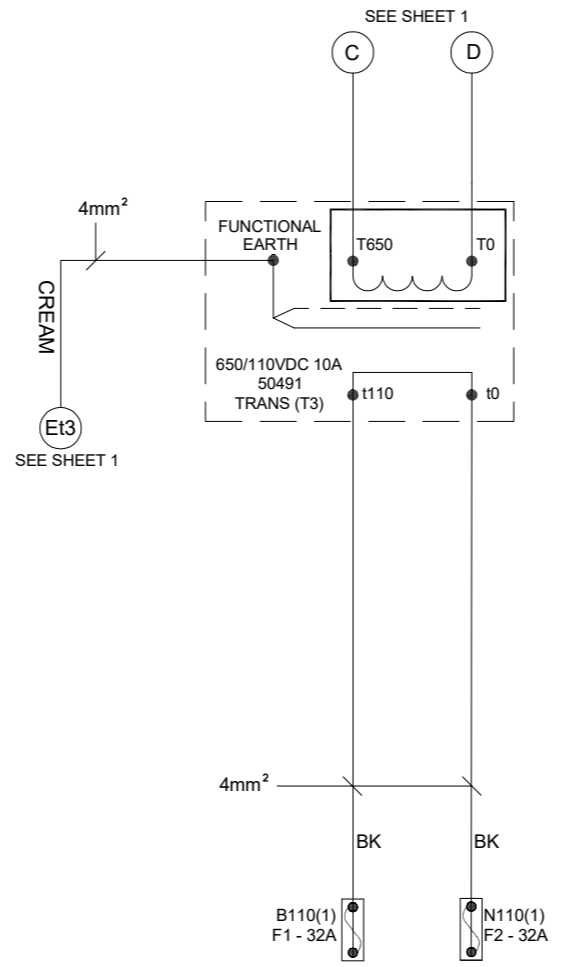
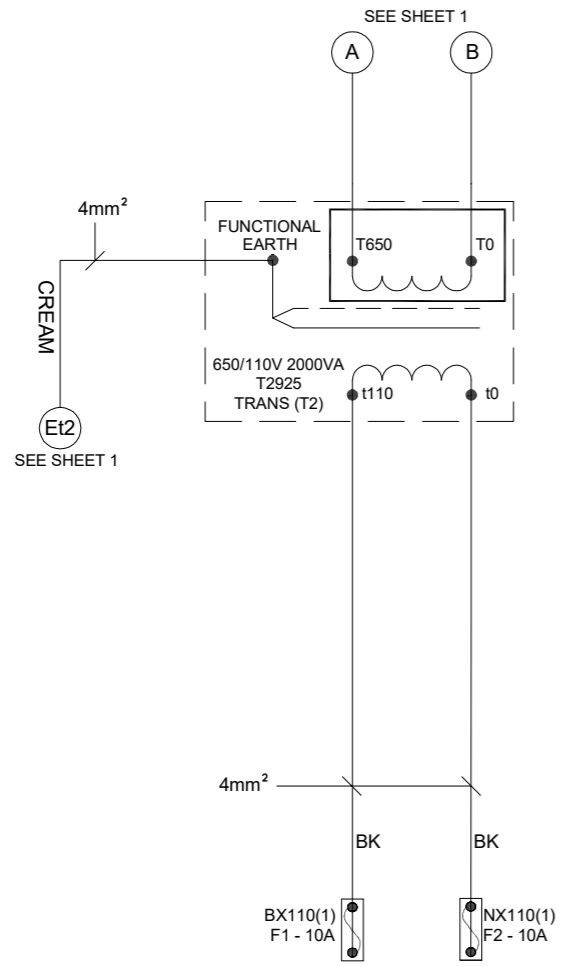


BX110(INT) FUSE	RATING	FUNCTION
F1	2A	LIGHT
F2	2A	HEATER
F3	-	SPARE

LOC CASE DOORS EQUIPOTENTIALLY BONDED 35mm² BRAID

	<h2>Henry Williams Ltd - Electrical Projects</h2>		DARLINGTON ENGLAND
	PRODUCED	<h3>Typical Drawings - FSP01-02 A Case (Safebox SL22A4C + 100+5)</h3>	
CHECKED	E001		
The copyright and all other rights related to this drawing or document remains at all times with Messrs. Henry Williams Ltd. Without their written authorisation it must neither be copied or reproduced nor be communicated or rendered acceptable or profitable in any form to any third parties.			ISSUE

INFORMATION ONLY



INFORMATION ONLY

	Henry Williams Ltd - Electrical Projects	DARLINGTON ENGLAND
PRODUCED	Typical Drawings - FSP01-02 A Case (Safebox SL22A4C + 100+5)	DWG. No
CHECKED		E002
The copyright and all other rights related to this drawing or document remains at all times with Messrs. Henry Williams Ltd. Without their written authorisation it must neither be copied or reproduced nor be communicated or rendered acceptable or profitable in any form to any third parties.		ISSUE