

Integrated Treadle Gauge



PRODUCT PROFILE

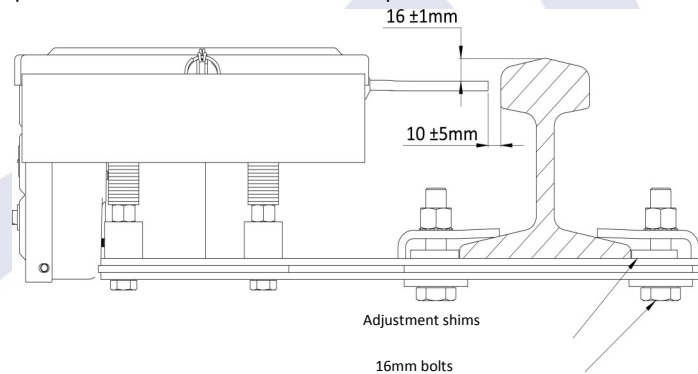


The Integrated Treadle Gauge eliminates the need for various measuring tools as previously required.

It has been designed to be used on standard and euro brackets and Treadles can be set to the correct height and distance from the running part of the rail quickly and easily.

The largest advantage to the maintainer is that the Integrated Treadle Gauge takes the guess work out of the setting procedure.

Ensuring Treadles are set correctly will improve the reliability of the product and ensure any failures, apart from wear and tear, are kept to a minimum.



The principle of the Integrated Treadle Gauge is the use of go no-go gauges for height and distance from the rail.

The go gauges are 5mm from the rail and 15mm from the running part of the rail

The no go gauges are 15mm from the rail and 17mm from the running part of the rail.

PADS Numbers

86/65774 Integrated Treadle Gauge and Bag

86/65775 Integrated Treadle Gauge

86/65776 Bag