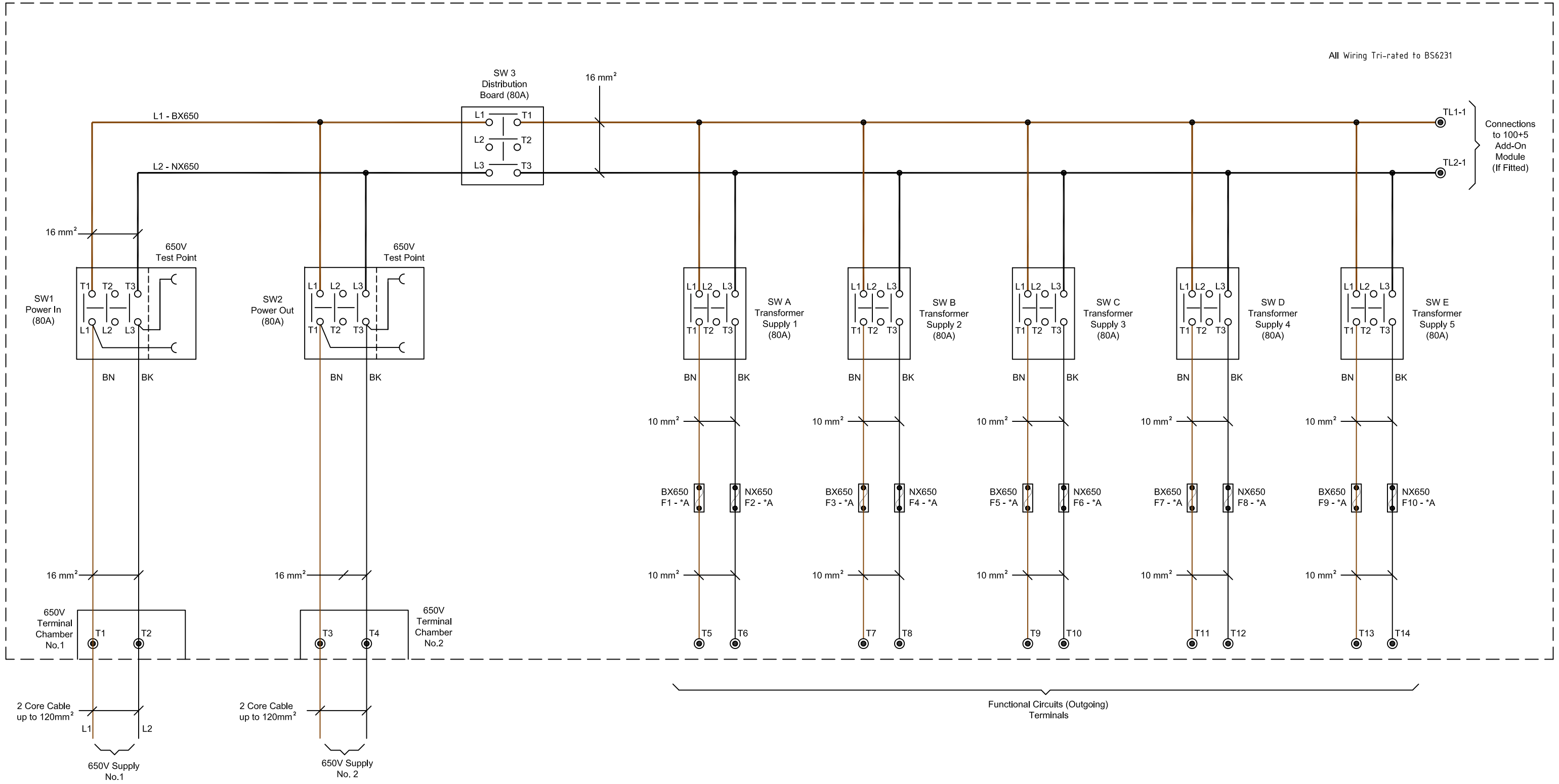


SafeBox 105 (Class II)



All Wiring Tri-rated to BS6231

Connections to 100+5 Add-On Module (If Fitted)

Functional Circuits (Outgoing) Terminals

Henry Williams Ltd - Electrical Projects		DARLINGTON ENGLAND
CUSTOMER	*****	ISSUE APPROVED
CONTRACT TITLE	SafeBox 100-Series (Class II)	ON 22190
PRODUCED	SafeBox 105 - Class II Wiring Schematic (Sheet 1 of 1)	PLAN DATE
APPROVED		DWG. No 22190-105-II-w
The copyright and all other rights related to this drawing or document remain at all times with Messrs. Henry Williams Electrical Projects Ltd. Without their written authorisation it must neither be copied or reproduced nor be communicated or rendered acceptable or profitable in any form to any third parties.		ISSUE E

DH 26-09-12	DH 22-11-12	CPS 06-10-14	CPS 14-01-15	DH 12-07-18
ISSUE - A FIRST ISSUE	ISSUE - B TRI-RATED NOTE ADDED	ISSUE - C CONTACTOR IDENTIFICATION ADDED	ISSUE - D SW1 ISOLATOR TERMINALS RE-IDENTIFIED	ISSUE - E RING POWER REFERENCES REMOVED